

VizEx Edit 3D is the new extension to our leading 2D illustration software. If you have access to 3D models you can easily convert them to 2D CGM standards compliant files (S1000D and ATA). Additionally, export to all the VizEx Edit 2D formats, including SVG.

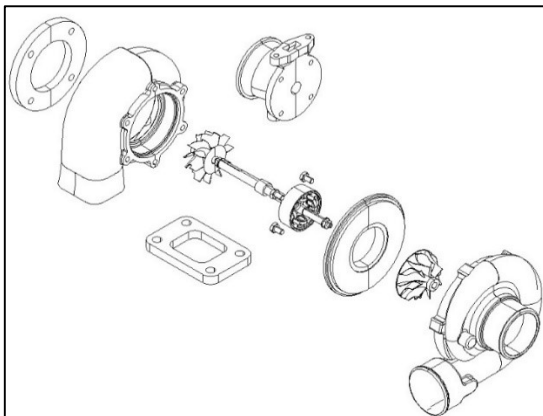
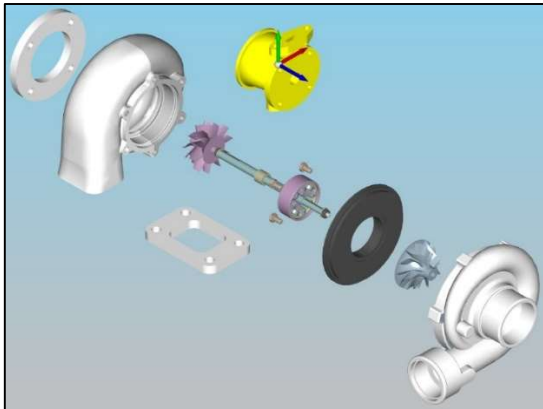
Major benefits and functionality

- Convert 3D to 2D
- Convert 3D to 3D
- Transparency
- Sectioning

Converting 3D CAD files to 2D technical illustrations

Convert the 3D Model to a quality 2D technical illustration. First manipulate the model to the appropriate projection, including exploding the model.

Finally save the file to CGM with hidden lines removed.



Converting 3D CAD files to popular Open 3D formats

Convert CAD file formats to open 3D publishing formats, for example X3D, VRML and GLTF.

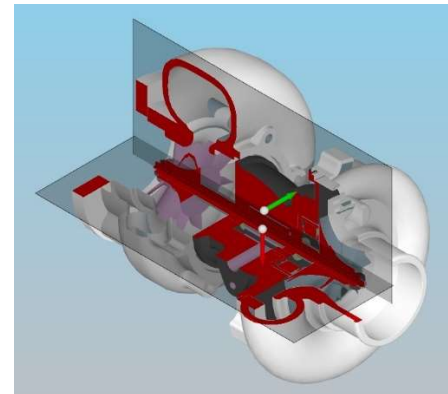
Apply transparency to 3D model

Easily make assembly components to reveal more detail. Export into 2D image formats or X3D and GLTF formats and retain 3D properties.



Create complex 3D cutaway illustrations

Create complex cutaway illustrations the save to 2D or 3D file formats.



Native: VX3D

Input 3D: STEP, IGES, VRML and GLTF

Output 2D: CGM, JPEG, PNG AND BMP

Output 3D: X3D, GLTF, GLB and VRML

Version types: Desktop & Network

License type: Subscription